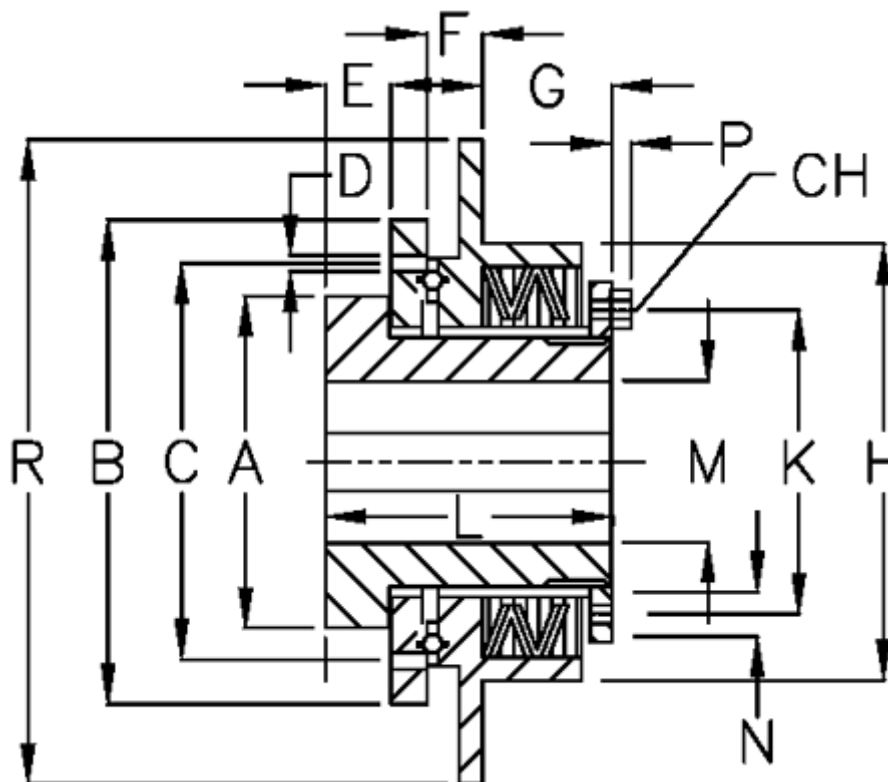


Article number: 46962511

Description: Synchron mini E 25 S

Measures



A	= 46	F	= 7.0	P	= 4.0
B	= 70	G	= 23.0	R	= 100
C	= 59	H	= 74		
CH	= 8	K	= 54		
D	= 6xM5	L	= 57		
Disc spring mounting	= 5x1S	M max	= 25		
Disc spring version	= S - light	M min	= 10		
E	= 17.0	N	= $\varnothing 4$		